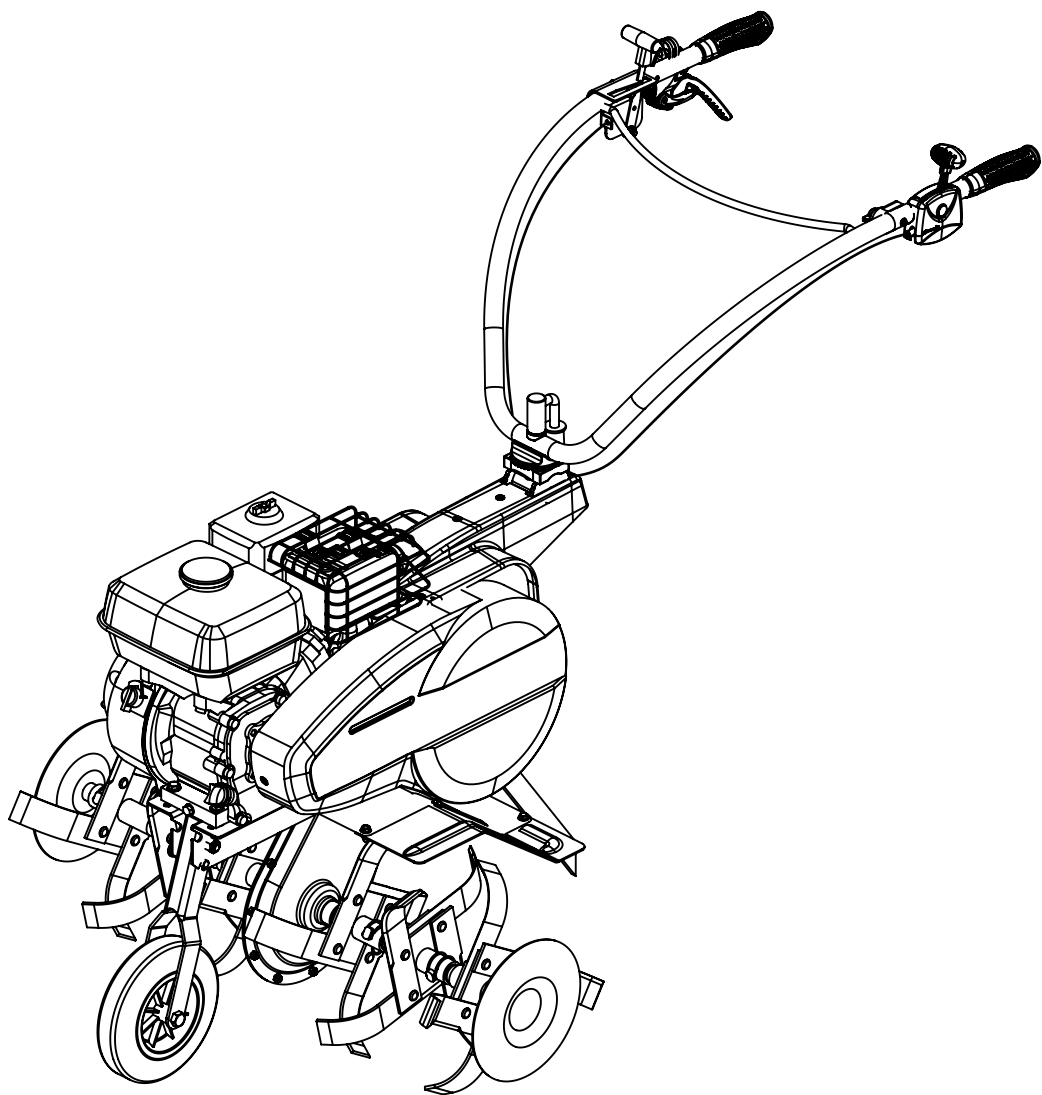


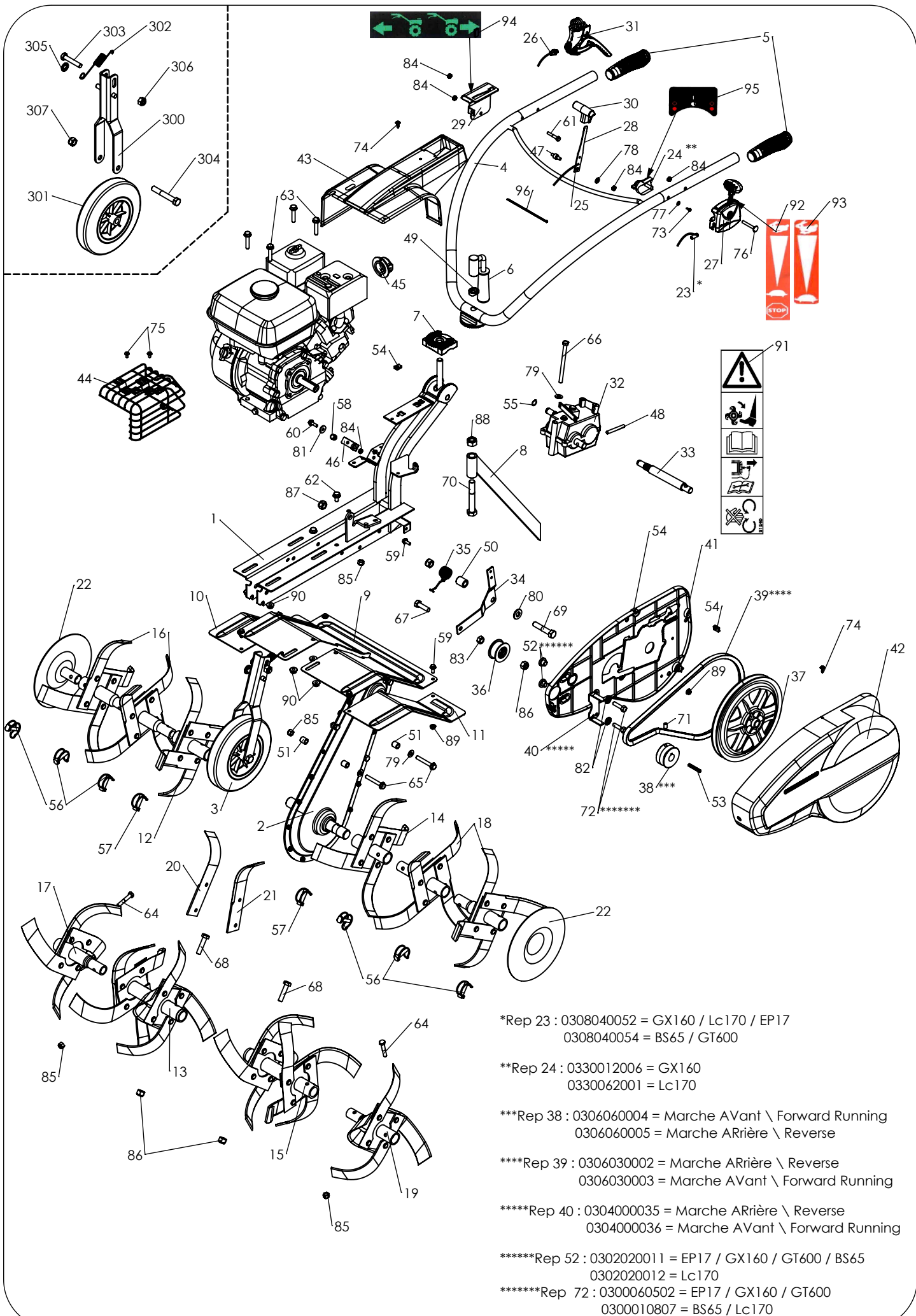
Pièces de rechange Spare parts list

3000**10**

3000**25**



***MOTOBINEUSE
TILLER***



*Rep 23 : 0308040052 = GX160 / Lc170 / EP17
 0308040054 = BS65 / GT600

**Rep 24 : 0330012006 = GX160
 0330062001 = Lc170

***Rep 38 : 0306060004 = Marche AVant \ Forward Running
 0306060005 = Marche ARrière \ Reverse

****Rep 39 : 0306030002 = Marche ARrière \ Reverse
 0306030003 = Marche AVant \ Forward Running

*****Rep 40 : 0304000035 = Marche ARrière \ Reverse
 0304000036 = Marche AVant \ Forward Running

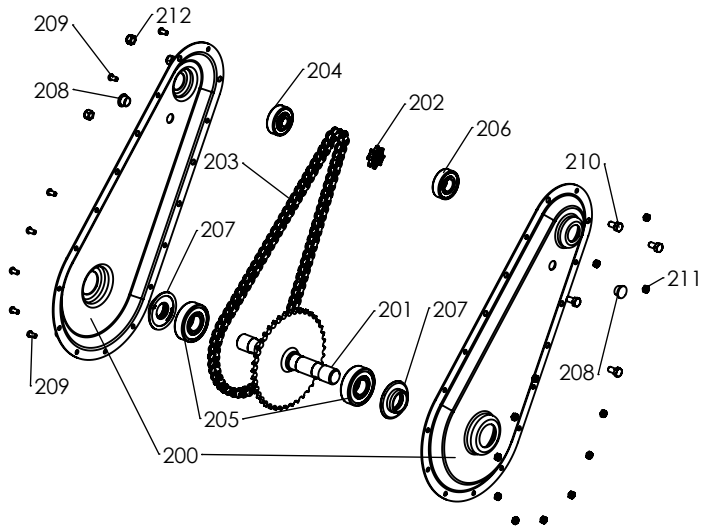
*****Rep 52 : 0302020011 = EP17 / GX160 / GT600 / BS65
 0302020012 = Lc170

*****Rep 72 : 0300060502 = EP17 / GX160 / GT600
 0300010807 = BS65 / Lc170

Rep N°	Ref.	Désignation	Description	Qte
1	3002010501	CHASSIS PRIMO GRIS (8120)	Grey (8120) Primo frame	1
2	3001000021	CART 1/5 BOUL /Jt Bleu/Ch Elit	Transmission bolted	1
2	3001000027	CART 1/5 JONC xGRIS8x /Jt Bleu/Ch Elite	Transmission, Grey flanged	1
2	3001000016	CART 1/5 BOUL PRIMO PRO XC /jt Bleu/Ch Elite	Transmission bolted	1
3	3001000031	ROUE xNoirex TRANSP MOTOB xPremontex	Transport wheel filler	1
4	3002100301	GUIDON ELITE NOIR RAL9005	Black RAL 9005 Elite Handlebar	1
4	3002100501	GUIDON ELITE GRIS (8120)	Grey (8120) Elite Handlebar	1
4	3002100503	GUIDON ELITE GX GRIS (8120)	Grey (8120) Elite handlebar GX	1
5	0341000063	POIGNEE PLASTIQUE Ø25mm BI-MATIERE GRIS/NOIR	Hand side grip	2
6	0300801401	POIGNEE SERRAGE M14x150 EMBOUT NOIR	HANDLEBAR TIGHTENING LEVER	1
7	0303000007	PIECE INTERMEDIAIRE Avec logem ergot rotation	FILLER PIECE	1
8	3002000302	EPERON PRIMO NOIR	BLACK SPUR FOR PRIMO	1
9	3002001303	TOLE PROT Primo ROUGE 3002	Red RAL 3002 Gear protective cover	1
9	3002000507	TOLE PROTECTION GRIS 8120	Gear protective cover Grey 8120	1
10	3002001301	EXTE TOLE PROT DROIT ROUGE 3002	Red RAL 3002 R.H.S guard extension	1
10	3002000501	EXTE. TOLE PROT DROIT GRIS 8120	Grey (8120) R.H.S guard extension	1
11	3002001302	EXTE TOLE PROT GAUCHE ROUGE 3002	Red RAL 3002 L.H.S guard extension	1
11	3002000502	EXTE. TOLE PROT GAUCHE GRIS 8120	Grey (8120) L.H.S guard extension	1
12	0320010013	FRAISE DEPART DEM STD 40X4 DROIT	RIGHT TINE REMOVABLE D25 STRAIGHT BLADE (40X4)	1
13	0320010019	FRAISE DEPART MONO DROITE D25 HEL 40X4	RIGHT TWIN TINES D25 HELICOID BLADE (40X4)	1
14	0320010014	FRAISE DEPART DEM STD 40X4 GAUCHE	LEFT TINE REMOVABLE D25 STRAIGHT BLADE (40X4)	1
15	0320010020	FRAISE DEPART MONO GAUCHE D25 HEL 40X4	LEFT TWIN TINES D25 HELICOID BLADE (40X4)	1
16	0320010015	FRAISE ADDIT STD 40X4 DROIT	RIGHT ADDITIONAL TINE D25 STRAIGHT BLADE (40X4)	2
17	0320010007	FRAISE ADDIT HEL 40X4 DROIT	RIGHT ADDITIONAL TINE D25 HELICOID BLADE (40X4)	1
18	0320010016	FRAISE ADDIT STD 40X4 GAUCHE	LEFT ADDITIONAL TINE D25 STRAIGHT BLADE (40X4)	2
19	0320010008	FRAISE ADDIT HEL 40X4 GAUCHE	LEFT ADDITIONAL TINE D25 HELICOID BLADE (40X4)	1
20	0001000020	COUTEAUX PRIMO 40X4 D 320 DROI	Blade RH 40x4	1
21	0001000021	COUTEAUX PRIMO 40X4 D 320 GAUC	Blade LH 40x4	1
22	0320010001	DISQUE D25 PRIMO	DISK D25	2
23	0308040052	CABLE GAZ x1250 xLF60 Z0° MANETTE LGC	Throttle cable Lg 1250mm stroke 60mm	1
23	0308040054	CABLE GAZ x1350 xLF60 Z0° MANETTE LGC	Throttle cable Lg 1350mm stroke 60mm	1
24	0330012006	SWITCH STOP GX	Switch engine cut-off	1
24	0330062001	SWITCH ON/OFF LONCIN	SWITCH ON/OFF LONCIN	1
25	0308010002	CABLE VITESSE xINV MECAx	Reverse gear cable	1
26	0308020058	CABLE EMB LG983 CF221 LAKS EMB METAL	Clutch cable	1
27	0307020023	MANETTE GAZ LGC POMMEAU NOIR RAL9005	THROTTLE LEVER LGC BLACK KNOB RAL9005	1
28	0304000044	MANETTE VITESSE 01/02 TOLE BLEUE / ZINGUEE	Gear lever	1
29	3002000311	TOLE LEVIER VITESSE 03 DROIT NOIR RAL9005	Black RAL 9005 gear level cover	1
30	0341000021	EMBOUT MAN. VITESSE xNOIREx	End tube	1
31	0307010034	LEVIER EMB LAKS C27 GUID D25 TEMPO EMBRAYAGE	HANDLELEVER LAKS C27 D25 CLUTCHING SYMBOL	1
32	0306040001	INVERSEUR MOTOBINEUSE	GEAR BOX 1 FRONT SPEED+1 REVERSE SPEED	1
33	0306050001	ARBRE PRIMAIRE CANNELE MAV	FORWARD GEAR SHAFT MAV	1
34	3002000104	LEVIER EMBR xMECA98x BICH	PLATE FOR CLUTCH LEVER COMPACT	1
35	0305020005	RESSORT CP 21 25/10 GALVA LEVIER EMBR xMECA00	SPRING CP 21 25/10 GALVA LEVIER EMBR xMECA00x	1
36	0341000003	GALET 2 EPAULEMENTS ROUL 6200 ZZ	CLUTCH RUNNER ROUL 6200 ZZ	1
37	0341000007	POULIE POLYA. xINV MECAx	TRANSMISSION PULLEY	1
38	0306060004	POULIE MOT D50 ALES 19,06	Engine pulley Ø50 bore Ø19,06	1
38	0306060005	POULIE MOT D55 ALES 19,06	ENGINE PULLEY D55 BORE Ø19,06	1
39	0306030002	COURROIE BAREBACK 6841 Gts A39 BBK	BELT BAREBACK 6841Gts A39 BBK	1
39	0306030003	COURROIE MAV BAREBACK GTS A43 BBK	Belt Gts A43	1
40	0304000035	GUIDE COURROIE POULIE D55	DRIVE BELT ENGINE PULLEY D55	1
40	0304000036	GUIDE COURROIE POULIE D50	DRIVE BELT ENGINE PULLEY D50	1
41	0340010004	CACHE INT CAPOT PUB03	PUB03 plastic cover plate	1
42	0340010017	CAPOT COURROIE PUB xJAUNEx	Yellow belt cover	1
42	0340010019	CAPOT COURROIE PUB ORANGE P1375	Orange P1375 belt cover	1
42	0340010021	CAPOT COURROIE PUB ROUGE RAL3020	Red RAL 3020 belt cover	1
42	0340010023	CAPOT COURROIE PUB VERT RAL6029	Green RAL 6029 belt cover	1
42	0340010050	CAPOT COURROIE PUB ORANGE P165	Orange P165 belt cover	1
42	0340010053	CAPOT COURROIE PUB ROUGE RAL3001	Rouge RAL 3001 belt cover	1
42	0340010015	CAPOT COURROIE PUB xBLEU RAL5010	Blue RAL 5010 belt cover	1
43	0340010016	CAPOT MANCH PUB xJAUNEx	Yellow handle cover	1
43	0340010018	CAPOT MANCH PUB ORANGE P1375	Orange P1375 handle cover	1
43	0340010020	CAPOT MANCH PUB ROUGE RAL3020	Red RAL 3020 handle cover	1
43	0340010022	CAPOT MANCH PUB VERT RAL6029	Green RAL 6029 handle cover	1
43	0340010051	CAPOT MANCH PUB ORANGE P165x	Orange P165 handle cover	1
43	0340010054	CAPOT MANCH PUB ROUGE RAL3001	Red RAL 3001 handle cover	1
43	0340010014	CAPOT MANCH PUB xBLEU RAL5010	Blue RAL 5010 handle cover	1
44	0330012003	GRILLE ECHAP GX120/GX160	EXHAUST GRILL GX120/GX160	1
44	0330032001	GRILLE ECHAPPEMENT EP	EXHAUST GRILL EP	1
44	0330082003	GRILLE ECHAPP GT600	GT600 Exhaust grill	1
45	0330012002	DEFLECTEUR HONDA GX120/GX160	GX120/GX160 Exhaust deflector	1
46	0304000255	EQUERRE 3 POINT	Third point angle bracket	1
47	0302010024	AXE LEVIER INV VIT02	Lever spindle	1
48	0302010021	AXE FIXATION POULIE INVERSEUR MECANIQUE	PULLEY PIN SHAFT MECANIQUE	1
49	0302020037	ENTRETOISE POIGNEE SERRAGE	TIGHTENING LEVER SPACER	1
50	0302020020	ENTRET. LEV EMB xMECAx PA6.6 12x20 LG 24	Clutch lever spacer	1
51	0302020028	ENTRETOISE 14x9x15,3 x Z	Spacer 14 x 9 x 15.3	4
52	0302020011	ENTRET EPAUL D13 d9 Lg12,5	SPACER SHOULDER 13x9x12.5 Z	2
52	0302020012	ENTR. EPAULEE D13 d9 Lg15,5	Spacer 13x9x15.5	2
53	0301040001	CLAVETTE 4.76X4.76X 40 BTS DRO TOL h 9 - XC 48	KEY 4.76X4.76X40 DRO TOL h 9 - XC 48	1
54	0301050001	CLIPS PRESTOLE Z/VIS 4.2 EP 4	CLIPS 4.2	6

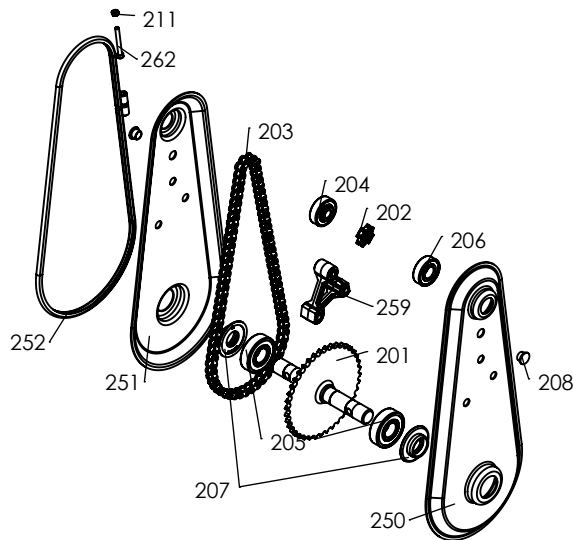
Rep N°	Ref.	Désignation	Description	Qty
55	0301070001	CIRCLIP EXTERIEUR 13	CIRCLIP E13	1
56	0301010013	GOUPILLE CLIPS 8 x 36	CLIP PIN D8 x 36	6
57	0301010014	GOUPILLE CLIPS 10 x 36	CLIP PIN D10 x 36	2
58	0301000010	RIVET AC AL 6.4X16 TETE PLATE	Rivet 6.4x16	1
59	0300010609	VIS H 6x16 Z EMB CR DIN 6921	SCREW HM 6X16 Z NOTCHED SHOULD	7
60	0300010610	VIS H 6x20 Z EMB CR DIN 6921	Screw HM 6x20 notched shoulder	1
61	0300010604	VIS H 6 X 35 Z NFE 24017 CL6.8	Screw HM6x35z	1
62	0300010815	VIS H 8x16 Z EMB CR DIN 6921 CL 6.8	SCREW H M8X16 Z NOTCHED SHOULDER CL 6.8	2
63	0300010817	VIS H 8x40 Z EMB CR DIN 6921	SCREW H M8 X 40	4
64	0300010819	VIS H 8x45/22 N CL10.9 DIN931	Screw HM 8x45/22 N	2
65	0300010837	VIS H 8x55 Z EMB CR DIN 6921 CL 6.8 FILETAGE PARTIEL	SCREW H 8x55 Z DIN 6921 NOTCHED SHOULDER CL 6.8	2
66	0300010804	VIS HM8x110/22Z ISO 4014 CL8.8	Screw HM 8x110 z	1
67	0300011003	VIS H 10 X 35 FST Z NFEN 24017	SCREW HM 10X35Z FST	1
68	0300011009	VIS H 10x45/26 N CL10.9 DIN931	Screw H M10x45/26 N	2
69	0300011207	VIS H 12x60/30 Z DIN 931/6.8	SCREW H 12x60/30 Z DIN 931/6.8	1
70	0300011401	VIS H 14 X 90/34 Z CL 8.8 NFE 24014 - ISO 4014	Screw H M14x90-34 z cl 8.8 NFE 24014 - ISO 4014	1
71	0300040801	VIS STHC 8 X 16 N BT POINTU DIN 914 45H	SCREW ST HC M8X16 DIN 914 45H	1
72	0300010807	VIS H 8 X 30/22 Z DIN 931/6.8	SCREW H 8 X 30/22 Z DIN 931 / 6.8	2
72	0300060502	VIS 5/16 TH 24 UNF LONG 32 Z	SCREW 5/16 TH 24 UNF LG 32	2
73	0300080301	VIS TCB 3X10 Z DIN 7985	Pozidrive screw M 3x10 Z	1
74	0300080405	VIS TOLE TETE POELIER D11 POZI Cr 4.2X16 Z	SCREW POZI 4.2X16Z	6
75	0300080501	VIS METAUX TCB POZI 5X10 Z DIN 7985	Pozidrive screw M5x10 Z	2
76	0300080610	VIS TRCC 6 X 45/20 Z Din603	SCREW TBCC M6X45 Z	1
77	0300400301	RONDELLE PLATE 3.2x10x1 Z	Washer M 3.2x10x1 Z	1
78	0300400602	RONDELLE PLATE M 6X14X1.2 Z	PLATE WASHER M 6X14X1.2 Z NFEN 25513	1
79	0300400802	RONDELLE PLATE M 8X18X1.5 Z NFE 25513	PLATE WASHER M 8X18X1.5 Z NFE 25513	3
80	0300401201	RONDELLE PLATE M 12X27X2.5 Z NFE 25513	PLATE WASHER M 12X27X2.5 Z NFE 25513	1
81	0300410602	RONDELLE SPECIALE 6,3X19 X2,5Z	SPECIAL WASHER 6,3 x 19 x 2,5Z	1
82	0300430801	RONDELLE CONTACT M8 NFE 25511	CONTACT WASHER 8	2
83	0300201002	ECROU H.U. M 10 Z DIN 934	NUT HM 10Z	1
84	0300210602	ECROU FREIN M 6 Z DIN 985-8	BLOCKING NUT M 6 Z	6
85	0300210802	ECROU FREIN M 8 Z DIN 985/8	BLOCKING NUT HM 8 Z DIN 985/8	5
86	0300211001	ECROU FREIN M 10 Z DIN 985/8	BLOCKING NUT M 10 Z	3
87	0300211201	ECROU FREIN M 12 Z DIN 985/8	BLOCKING NUT M 12 Z	2
88	0300211402	ECROU FREIN M14 Z DIN 985-8	Blocking nut M 14 Z DIN 985-8	1
89	0300260601	ECROU HM 6 ZEMB CR DIN 6923	NUT H M6 Z NOTCHED SHOULDER	7
90	0300260801	ECROU HM 8 ZEMB CR DIN 6923-8	NUT H M8 Z NOTCHED SHOULDER	6
91	0503000036	"ETIQ. ""SECURITE 5 LOGOS""Xce	STICKER SECURITY	1
92	0503000045	ETIQ. POIGNEE GAZ (AVEC STOP)	STICKER THROTTLE CONTROL STOP-MIN-MAX	1
93	0503000043	ETIQ. GAZ (SS STOP)VERS PNEUM DIM 42X11	Label throttle control without stop	1
94	0503000032	ETIQ. "-MAV<->MAR-" INVERS PRI DIM 75X20 EN ROULEAU	Label foward and reverse gear	1
95	0503000031	"ETIQ. ""MARCHE/ARRET""/SWITCH DIM 20 X 15	STICKER SWITCH ON/OFF GX	1
96	0301060003	COLLIER POLYAM.3.6 X 140 NOIR	COLLAR	1
300	3002000308	SUPPORT ROUE TRANSPORT PRIMO NOIR	Black front wheel bracket	1
301	0309000013	ROUE 200 ALES 12 MOY 60 NOIR	BLACK WHELL D200 BORE 12 LG.60	1
302	0305010002	RESSORT TR 15x102 18/10 ROUE AVANT	Wheel spring	1
303	0300011007	VIS H M 10x55/26 Z ISO 4014 cl 6.8	Screw H M 10x55 Z	1
304	0300011206	VIS H M 12x80/30 Z ISO 4014 CL 6.8	SCREW H M 12X80/30 Z ISO4014	1
305	0300461001	RONDELLE STARLOCK Ø10	Starlock washer Ø10	1
306	0300211001	ECROU FREIN M 10 Z DIN 985/8	BLOCKING NUT M 10 Z	1
307	0300211201	ECROU FREIN M 12 Z DIN 985/8	BLOCKING NUT M 12 Z	1

3001000021



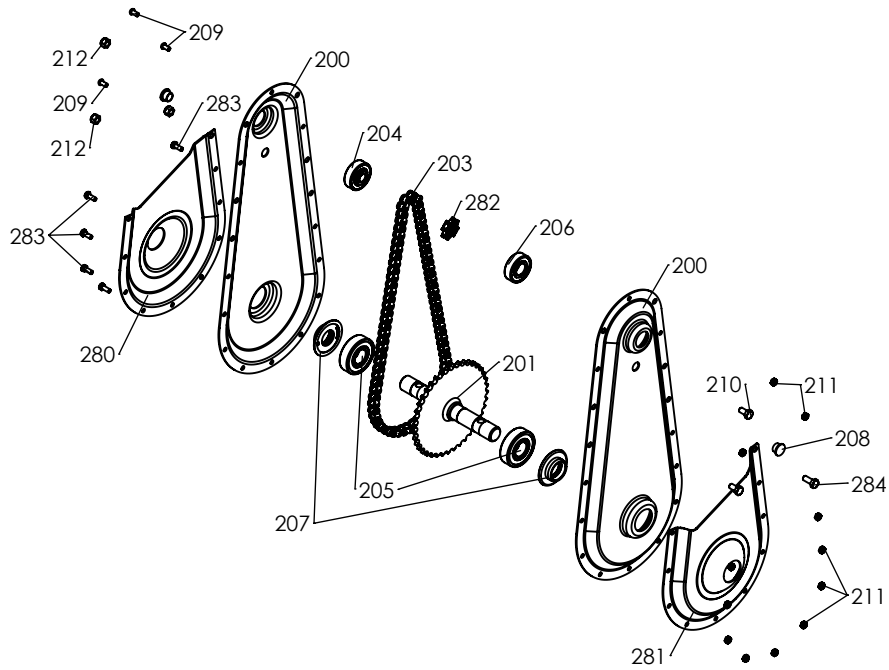
Rep N°	Ref.	Désignation	Description	Qte
200	3002000307	JOUE CART 1/5 BOUL(Ø 65) NOIR	Transmission bolted housing	2
201	0306050010	ARBRE TRAVAIL 1/5 SOUDE AVEC D 40 DTS 12.7/MODIF	BLADE SHAFT 1/5 D 40 DTS 12.7/MODIF	1
202	0306050016	PIGNON 8 DTS 12.7 SIMPLE cannelé	PIGNON 8 TOOTH 12.7 RIBBED	1
203	0306020022	CHAINE ISO 08B-1 pas 12.7mm "80 maillons RSF (Marquée : ""	CHAIN (80 LINKS RSF) 08B	1
204	0306010016	ROULEMENT 6204 2RS EPAULE	SPECIAL BALL BEARING 6204 2RS	1
205	0306010020	ROULEMENT 6305 2 RS cl: 0	BALL BEARING 6305 2RS	2
206	0306010024	ROULEMENT SPECIAL TYPE 62042RS	SPECIAL BALL BEARING 2RS	1
207	0341000059	Joint carter 1/5 Ø62 x Ø25	Seal	2
208	0341000014	CAPE BOUCHON SR1011 M16	GREASE CAP	2
209	0300110604	VIS TORX M6X12 TETE CYLIND BOMB 6 LOBES INTER	Screw Torx M6x12	12
210	0300010801	VIS H 8 X 16 Z DIN933/6.8	Screw HM 8x16 z	4
211	0300210602	ECROU FREIN M 6 Z DIN 985-8	BLOCKING NUT M 6 Z	12
212	0300210802	ECROU FREIN M 8 Z DIN 985/8	BLOCKING NUT HM 8 Z DIN 985/8	4

3001000027



Rep N°	Ref.	Désignation	Description	Qte
250	3002000313	JOUE CARTER ECO (Ø 65) 1/5 G GAUCHE NOIR	LEFT TRANSMISSION HOUSING 1/5 BLACK x COMPACT	1
251	3002000312	JOUE CARTER ECO (Ø 65) 1/5 D DROITE NOIR	RIGHT TRANSMISSION HOUSING 1/5 BLACK x COMPACT	1
252	3002000306	JONC CARTER 1/5 NOIR	BLACK FLANGE 1/5	1
252	3002000506	JONC GRIS 8120	FLANGE 1/5 x Grey (8120)	1
252	3002001306	JONC CARTER 1/5 ROUGE3002	Red RAL 3002 flange	1
252	3002002301	JONC CARTER 1/5 BLEU	FLANGE 1/5 x BLUE P301	1
252	3002002401	JONC CARTER 1/5 ORANGE	FLANGE 1/5 x ORANGE RAL2004	1
252	3002003401	JONC CARTER 1/5 JAUNE RAL1033	FLANGE 1/5 x YELLOW RAL1033 COMPACT	1
252	3002003506	JONC CARTER 1/5 GRIS RAL7000	FLANGE 1/5 x Grey RAL7000	1
259	0341000001	ENTRETOI. PLASTIQ CART. 1/5	PLASTIC SPACER FOR TRANSMISSIO COMPACT	1
262	0300020607	VIS CHC 6 X 55 Z	SCREW CHC 6 X 55 Z	1

3001000016



Rep N°	Ref.	Désignation	Description	Qte
280	3002030301	RENF CART 1/5 BOUL DROIT	Right strengthening transmission	1
281	3002030302	RENF CART1/5 BOUL GAUCH NOIR	Left strengthening transmission	1
282	0306050017	PIGNON 8 DTS 12.7 SIMPLE XC cannelé	Sprocket wheel 8th pitch 12.7	1
283	0300010602	VIS H 6 X 16 Z DIN 933/6.8	Screw HM6x16z	9
284	0300010806	VIS H 8 X 20 Z DIN 933 8/8	Screw HM 8x20 z	1